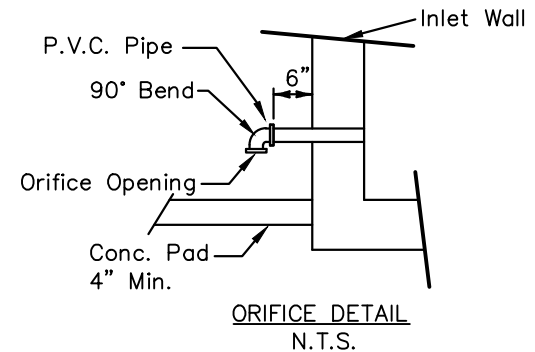
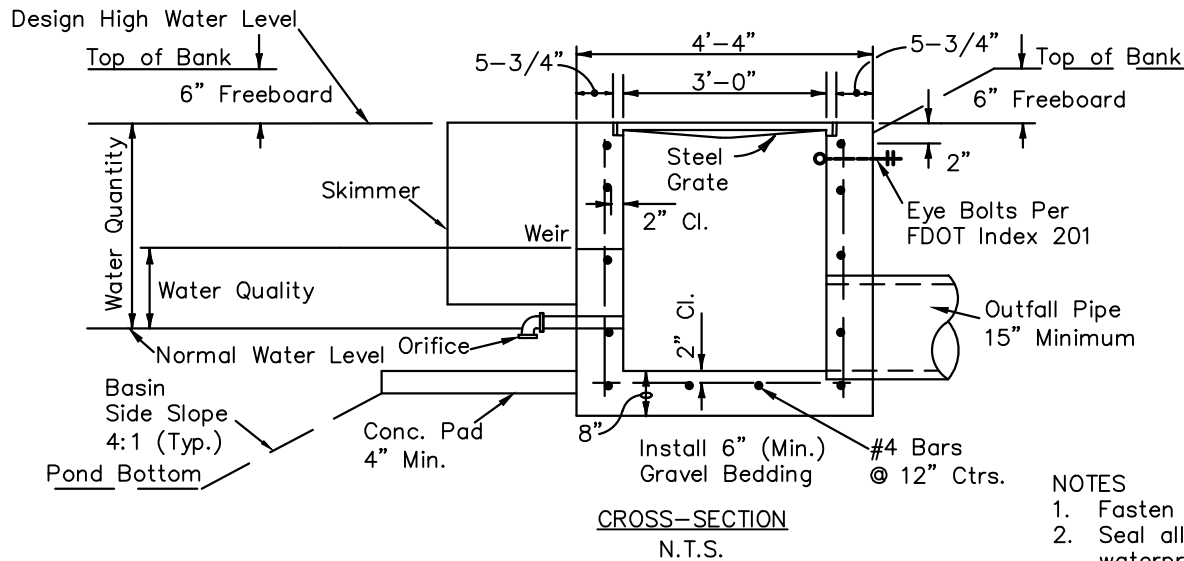


Straight Bars 2" x 3/16"  
Reticuline Bars 1-1/4" x 3/16"  
Bands 1-1/2" x 1/4"  
Approx. Weight 215 Lbs.



NOTES

1. Fasten skimmer with 4 stainless steel bolts with lead anchors
2. Seal all edges of skimmer at contact points with structure with waterproof caulking or approved equal

6/16/15	EDITED CROSS SECTION	S.R.
DATE	REVISION DESCRIPTION	APP

CITY OF CLEARWATER  
ENGINEERING DEPARTMENT  
STORM  
DETAILS

STORM SEWER OUTFALL CONTROL STRUCTURE  
FDOT TYPE E INLET (MODIFIED)  
WITH ORIFICE (WET POND)

INDEX NO.	PAGE NO.
214	1 OF 1
LATEST REVISION	2/22/2016